



EAX80 A/D ABSOLUTE EXPLOSIONPROOF ENCODER



Absolute Encoder

Explosionproof encoders for applications within explosive and hazardous areas.

- Up to 8.192 ppr resolution (13 bit)
- Several output types available. Up to 28 Vdc input voltage.
- Output cable
- Several flanges available
- Up to 3.000 rpm speed rotation
- Up to IP64 sealing



EN 50.014 / EN 50.018
CESI certificate number: CESI 04 ATEX 082



Ordering code

Special ABSOLUTE ENCODERS

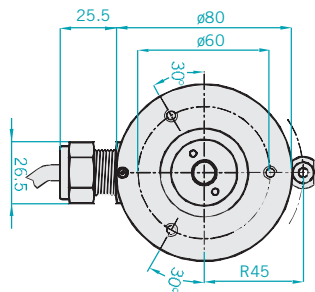
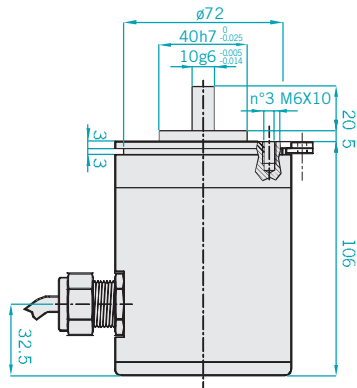
EAX80 A/D

Full stop to separate special versions

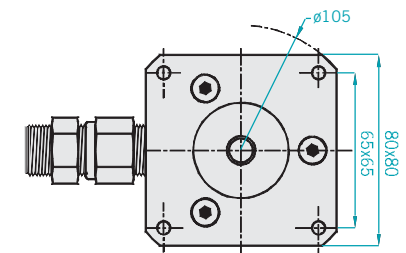
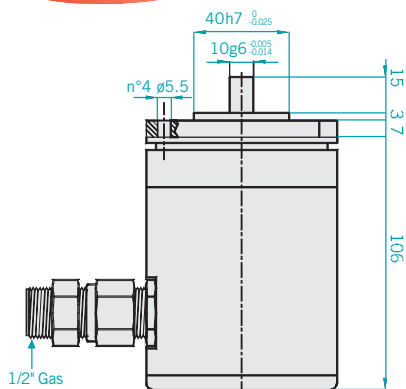
EAX 80 A 512 G 5 N N X 10 X 3 P R . XXX

<p>Absolute explosionproof encoder EAX</p> <p>Body dimension 80</p> <p>Type of flange mod.EAX80A A mod.EAX80D D</p> <p>Resolution 2 / 4 / 8 / 16 / 32 / 64 / 128 / 256 / 512 / 1024 / 2048 / 4096 / 8192 90 / 180 / 360 / 720 / 1440 / 2880 225 / 450 / 900 / 1800 / 3600 250 / 500 / 1000 / 2000 / 4000 <i>Please directly contact our offices for pulses availability</i></p> <p>Code type Binary B gray (standard) G <i>Please directly contact our offices for binary offset code (0-XXX).</i></p> <p>Input voltage 5 8 ÷ 28</p> <p>Output types (Negative logic) NPN N (Negative logic) NPN OPEN COLLECTOR C (Positive logic) PNP R (Positive logic) PNP OPEN COLLECTOR U (with short circuit protection - Positive logic) PUSH PULL P (Serial Synchronous Interface) SSI S</p> <p><i>For optional about output types please refer to the absolute output section</i></p>	<p>R.P.M. 3 3000</p> <p>Enclosure rating X standard IP64</p> <p>Shaft diameter 10 ø 10 g6 mm</p> <p>Options L Latch S Strobe (only for binary code) X With SSI output</p> <p>Logic N Negative P Positive X With SSI output</p>	<p>P Cable output (standard length 0,5 m)</p> <p>R Radial</p> <p>XXX Special version code numbered from 001 to 999</p>
--	--	---

EAX 80 A



EAX 80 D



Electrical specifications

Resolution	2 / 4 / 8 / 16 / 32 / 64 / 128 / 256 / 512 / 1024 / 2048 / 4096 / 8192 90 / 180 / 360 / 720 / 1440 / 2880 225 / 450 / 900 / 1800 / 3600 250/500/1000/2000/4000	
Input voltage	5Vdc / 8 ÷ 28 Vdc	
Input current with no output load	100 mA	
Source and sink current	50 mA for channel	
Output types	NPN / NPN OPEN COLLECTOR / PNP / PNP OPEN COLLECTOR / PUSH PULL / SSI	
Output frequency	100 KHz	$F = \frac{\text{RPM} \times \text{Resolution}}{60}$

Mechanical specifications

Shaft diameter (mm)	ø10 g6
R.P.M. Max	3000
Shock	50 G for 11 msec
Vibrations	10G 10 ÷ 2000 Hz
MAX shaft load	200 N (0.5 Kp) axial 200 N (0.5 Kp) radial
Bearings life	10 ⁹ revolutions
Bearings	n° 2 ball bearings
Shaft material	Stainless steel AISI303
Housing material	Aluminium D11S - UNI 9002/5
Operating temperature	0° ÷ +60°C
Storage temperature	-15° ÷ +70°C
Weight	1200 g

Explosionproof encoder EExdIIC T6



EN 50.014 / EN 50.018
CESI certification number: CESI 04 ATEX 082

EExdIIC T6

- EEx:** Electrical system for explosive and hazardous areas.
- d:** Explosionproof housing.
- II:** Electrical system which can operate in hazardous areas except for the mines where "grisou" gas is present.
- C:** Type of protection based on the special interstice designed to have the maximum security on the explosionproof encoder (MESG) C=maximum security.
- T6:** Maximum temperature reached by the encoder surface: 85° C.



www.eltra.it e-mail: eltra@eltra.it
Via Monticello di Fara, 32 bis - Sarego (VI) - ITALY - Tel. +39 0444 436489 R.A. - Fax +39 0444 835335
© Copyright 2005 Eltra S.p.a. - All right reserved. All information in this catalog is subject to change without notice - ELTRA takes no responsibility for typographical errors.
For the terms of sales please check the website: www.eltra.it