



# EA40 A/B SINGLETURN ABSOLUTE ENCODER



## Absolute Encoder

Reduced dimensions absolute encoder.  
Main characteristics:

- Up to 256 ppr (8 bit) resolution
- Several output types available.
- Up to 28 Vdc input voltage.
- Output cable.
- Up to 6,000 rpm
- Up to IP66 sealing



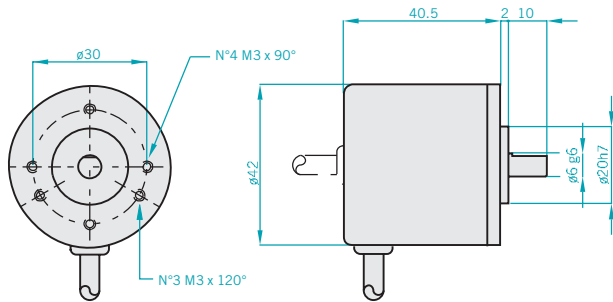
Singleturn ABSOLUTE ENCODERS

## Ordering code

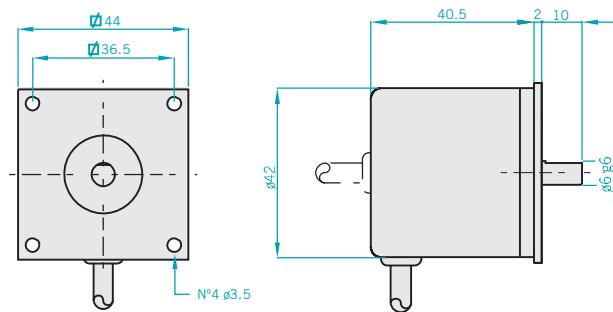
EA	40	A	256	G	8/28	R	P	6	X	6	P	R	XXX
Singleturn absolute encoder series EA		Full stop to separate special versions											
Body dimension 40		Special version code numbered from 001 to 999											
Type of flange		R Radial A Axial											
mod. EA40A A mod. EA40B B		P Cable output (standard length 0,5 m)											
Resolution 2/4/8/16/32/64 128/256 90/180 <small>Please directly contact our offices for pulses availability</small>		R.P.M. 3 3000 with IP66 6 6000 max											
Code type Gray G		Enclosure rating X Standard IP54 S Optional IP66											
Input voltage 5 8 ÷ 28		Shaft diameter 6 ø 6 mm											
Output types		Logic N Negative P Positive											
N NPN (negative logic standard) C NPN OPEN COLLECTOR (negative logic standard) R PNP (positive logic standard) U PNP OPEN COLLECTOR (positive logic standard) <small>For optional about output types please refer to the absolute output section</small>													

EA40 A/B

## EA 40 A



## EA 40 B



### Connections and standard colours

WIRE COLOURS	FUNCTION	G
green	bit 1 (LSB)	G <sup>0</sup>
yellow	bit 2	G <sup>1</sup>
blue	bit 3	G <sup>2</sup>
brown	bit 4	G <sup>3</sup>
pink	bit 5	G <sup>4</sup>
white	bit 6	G <sup>5</sup>
gray	bit 7	G <sup>6</sup>
violet	bit 8	G <sup>7</sup>
	/	/
	/	/
red-blue	U / D	/
black	0 Volt	/
red	+ Vdc	/

### Electrical specifications

Resolution	2 / 4 / 8 / 16 / 32 / 64 / 128 / 256 90 / 180
Input voltage	5Vdc / 8 ÷ 28 Vdc
Input current with no output load	150 mA MAX
Source and sink current	40 mA for channel
Output types	NPN / NPN OPEN COLLECTOR / PNP / PNP OPEN COLLECTOR
Output frequency	100 KHz output code
Code	Gray

### Mechanical specifications

Shaft diameter (mm)	ø6 g6
Enclosure rating	IP54 standard IP66 optional
R.P.M. Max	3000 with IP66 6000
MAX shaft load	5N (0.5 Kp) axial 5N (0.5 Kp) radial
Shock	50 G for 11 msec
Vibrations	10G 10 ÷ 2000 Hz
Bearings life	10 <sup>9</sup> revolutions
Bearings	n° 2 ball bearings
Shaft material	Stainless steel AISI303
Body material	Aluminium D11S - UNI 9002/5
Housing material	PA66 reinforced with fiber glass
Operating temperature	0° ÷ +60°C
Storage temperature	-15° ÷ +70°C
Weight	100 g

Singleturn ABSOLUTE ENCODERS

AS00010705A

EA 40 A/B

