



EL120P INCREMENTAL ENCODER



Incremental encoder

Ø120 encoder series with through hollow shaft used on motors.

- Up to 60mm bore diameter
- Easy and safe fixing
- Rugged mechanics
- Up to 2,048 ppr with Zero
- Several output types available. Up to 28 Vdc input voltage.
- Up to 100 kHz frequency response
- Up to 3,000 rpm speed rotation
- Up to IP54 sealing



hollow shaft INCREMENTAL ENCODERS

Ordering code

Incremental encoder series	EL	120	P	500	Z	5	N	50	X	3	P	R	:	XXX
Body dimension														
hollow shaft														
Resolutions														
Zero pulse														
Input voltage														
Output types														
Enclosure rating														
Bore diameter														
R.P.M.														
Cable output														
Special version code														

Full stop to separate special versions.

Special version code numbered from 001 to 999

R radial

P cable output (standard length 0,5 m)

R.P.M. 3 3000

X standard IP54

40 ø 40 mm
50 ø 50 mm
60 ø 60 mm

N NPN
C NPN OPEN COLLECTOR
P PUSH PULL
L LINE DRIVER

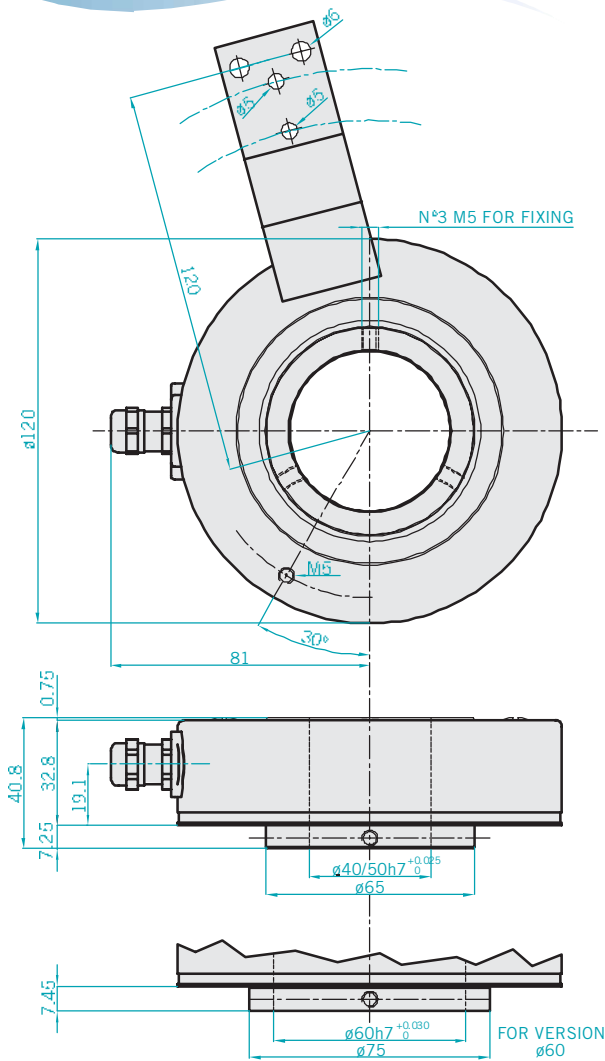
For optional's about output types please refer to incremental outputs section

LINE DRIVER available only with input voltage 5 Vdc or 8 ÷ 24 Vdc

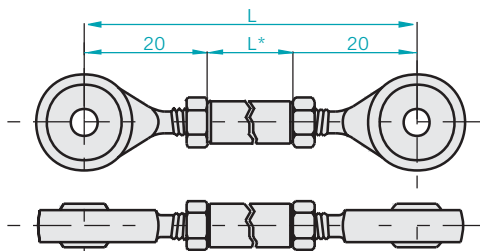
Please, directly contact our offices for pulses availability

EL120P

EL 120



Accessories



* See below for arm length

Available lengths

L* = 30 mm	Ordering code: SN5A30
L* = 60 mm	Ordering code: SN5A60
L* = 90 mm	Ordering code: SN5A90

Electrical specifications

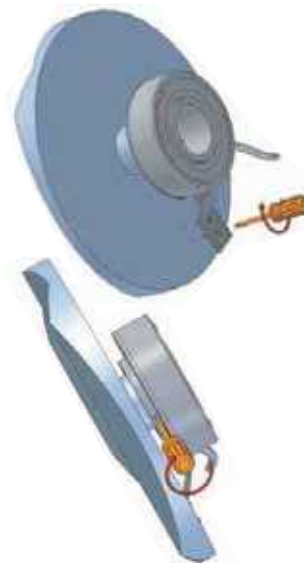
Resolution	1 - 2048 PPR
Input voltage	5Vdc / 8 ÷ 24 Vdc
Input current with no output load	100 mA Max
Source and sink current	50 mA for channel 20 mA for channel with LINE DRIVER
Output types	LINE DRIVER / PUSH PULL
Frequency response	100 KHz Max $F = \frac{RPM \times Resolution}{60}$

Mechanical specifications

Bore diameter	$\phi 40 / 50 / 60$ mm H7
Enclosure rating	IP54 standard
Shaft speed	3000 RPM
Bearings	n° 2 ball bearings
Shaft material	Aluminium D11 S UNI9002/5
Housing material	Aluminium
Operating temperature	0° ÷ +60°C
Storage temperature	-25° ÷ +70°C
Weight	750 g

HOW TO MOUNT IT

- 1) Couple the encoder shaft with the motor shaft
- 2) Fix the spa to the motor flange without screwing it
- 3) Fix the encoder shaft by the metal gear.
- 4) Block the spring



hollow shaft INCREMENTAL ENCODERS

INC20IT0305A

EL 120P

