

Main characteristics

S065 is an electronic proximity switch based on photoelectric principle of revealing light beam interruption caused by the passage of an object. It's available in trough-beam version, where emitter and receiver are integrated in the fork, one opposite to the other. Thanks to its particular structure, S065 represents a great solution for precise measurement of differences of the light beam variation.



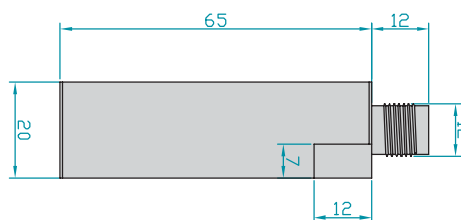
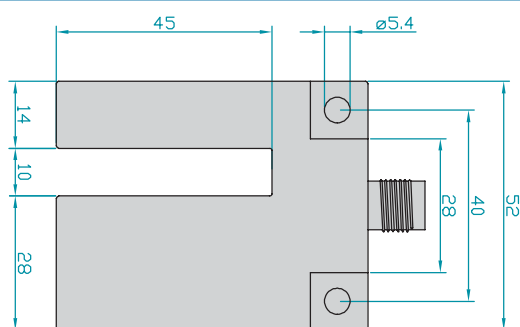
Ordering code

S	O	65	3	X	01	C	F	P	O
sensor	photoelectric	Dimensions	Max power supply	Version details	Gap	Output type	Version	Output electronic	Output configuration
S	0	65 mm	30 Vdc	standard	10 mm	connector	fork	PNP	NO
						cable		NPN	NC
									NO+NC (4 wires)

Technical Specifications

Version	fork (trough-beam)
Output type	connector or cable
Output electronic	PNP or NPN
Output configuration	NO or NC
Gap	10 mm
Power supply	10÷30 Vdc ±10%
Maximum current without load	15 mA max
Output current	200 mA max
Protection class	IP60
Working temperature	-25÷55°C
Direction angle	3÷10°
Light source	infrared LED
Standard object detected	Opaque or transparent surfaces
Switching time	2 ms max
Ambient light intensity	10000 lx max (sun light) 3000 lx max (artificial light)
Housing material	metal

Mechanical dimensions



dimensions: mm