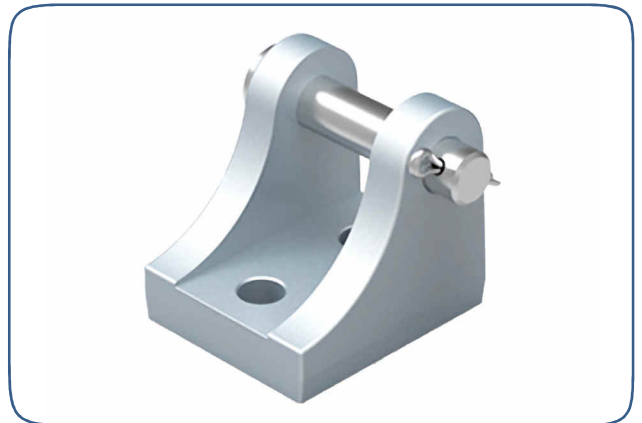


Mounting Bracket DSZY2-3-5-6-H02

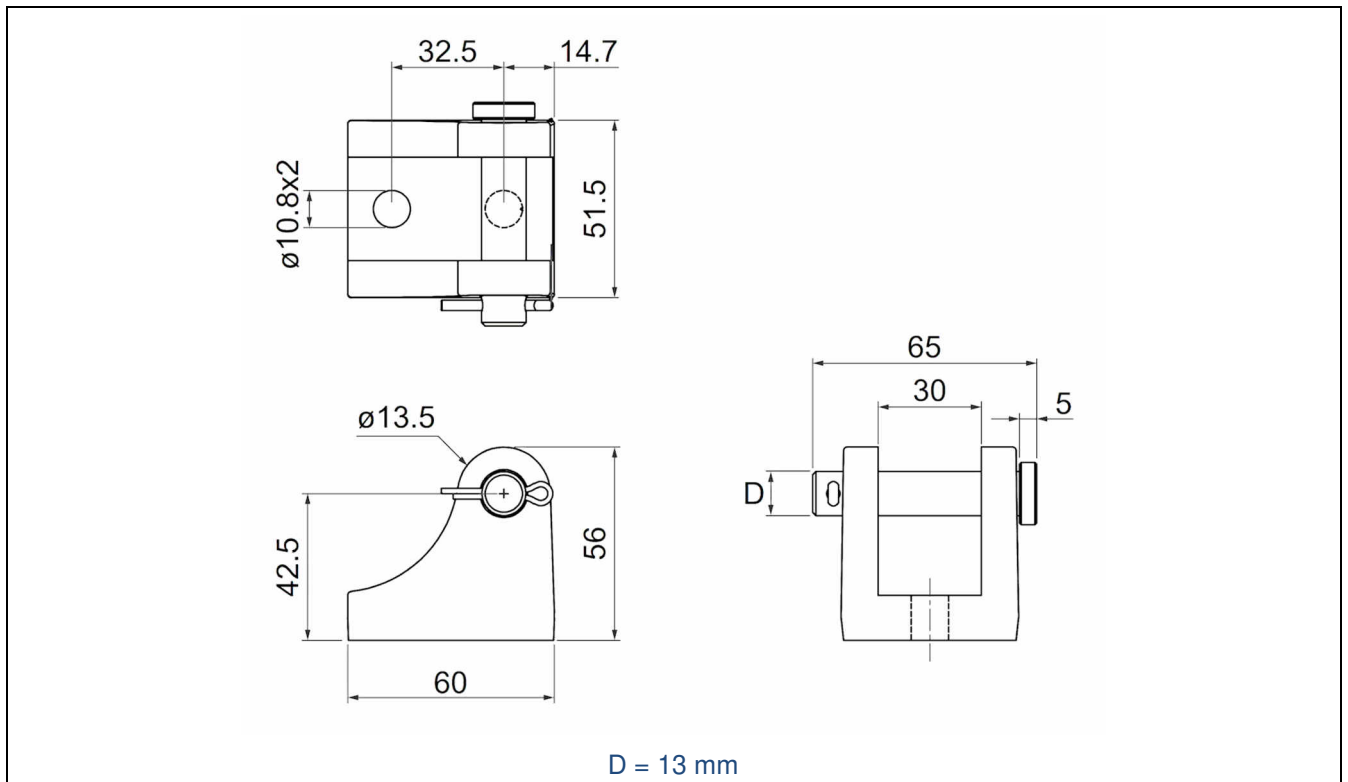
It is often necessary to provide movable bearings for the electric cylinder. The mounting bracket DSZY2-3-5-6-H02 made of white galvanized steel is particularly suitable for this purpose.

The bearing block is used to mount the cylinder to the gearbox cover and to the piston rod and is suitable for subsequent lifting cylinders:

DSZY2	DSZY5
DSZY3	DSZY6
DSZY7	DSZY12
DSZY8	DSZY13
DSZY15	
DSZY16	



Dimensions



 MSW Motion Control GmbH	Drive System Europe by MSW® A trade mark of MSW Motion Control GmbH	
	MSW Motion Control GmbH Vertriebsgesellschaft Schloßstr. 32/34, 33824 Werther (Westf.) Germany	anfrage@msw-motion.de www.msw-motion.de Phone: +49 (0)5203 919200